

Racores DIN 2353

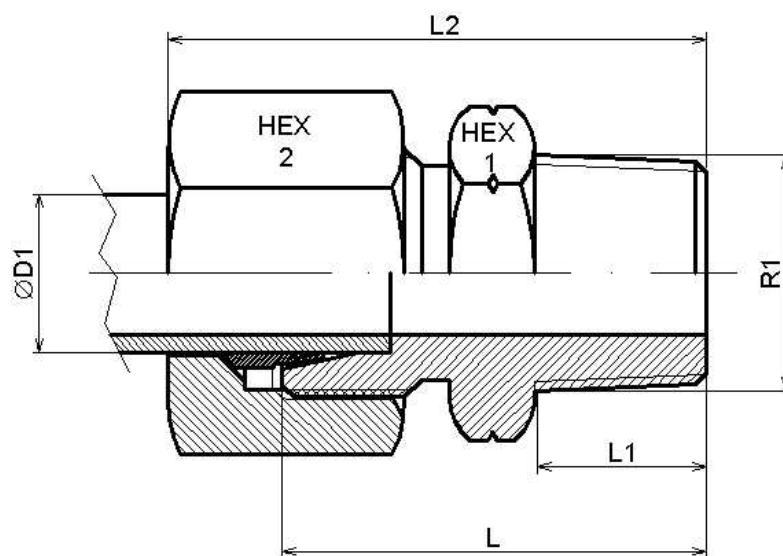
Uniones rectas tubo-rosca

Racor recto rosca cónica NPT



Acero Inoxidable AISI 316-L

1/2



Artículo	ØD1	Serie	R1	Presión de trabajo (bar)	L	L1	L2	HEX 1	HEX 2
Z AKL 6 1/8 NPT	6	L	1/8"NPT	315	22	16,5	28	11	12
Z AKL 6 1/4 NPT	6	L	1/4"NPT	315	24	17	31,5	12	14
Z AKL 6 3/8 NPT	6	L	3/8"NPT	315	30	23	37,5	17	14
Z AKL 8 1/8 NPT	8	L	1/8"NPT	315					
Z AKL 8 1/4 NPT	8	L	1/4"NPT	315	30	23	38	17	17
Z AKL 8 3/8 NPT	8	L	3/8"NPT	315					
Z AKL 8 1/2 NPT	8	L	1/2"NPT	315					
Z AKL 10 1/4 NPT	10	L	1/4"NPT	315	31	24	39	17	19
Z AKL 10 3/8 NPT	10	L	3/8"NPT	315	32	25	40	19	19
Z AKL 10 1/2 NPT	10	L	1/2"NPT	315					
Z AKL 12 1/4 NPT	12	L	1/4"NPT	315	32	25	40	19	22
Z AKL 12 3/8 NPT	12	L	3/8"NPT	315	32	25	40	19	22
Z AKL 12 1/2 NPT	12	L	1/2"NPT	315	37	30	45	22	22
Z AKL 15 3/8 NPT	15	L	3/8"NPT	315					
Z AKL 15 1/2 NPT	15	L	1/2"NPT	315	38	31	46	24	27
Z AKL 18 1/2 NPT	18	L	1/2"NPT	315	39	31,5	48	27	32
Z AKL 18 3/4 NPT	18	L	3/4"NPT	315					
Z AKL 22 3/4 NPT	22	L	3/4"NPT	160	41	33,5	50	32	36
Z AKL 28 1 NPT	28	L	1"NPT	160	47	39,5	56	41	41
Z AKL 35 1 1/4 NPT	35	L	1"1/4NPT	160	51	40,5	62	46	50
Z AKL 42 1 1/2 NPT	42	L	1"1/2NPT	160	53	42	65	55	60
Z AKS 6 1/8 NPT	6	S	1/8"NPT	630					
Z AKS 6 1/4 NPT	6	S	1/4"NPT	630	35	28	43	17	17
Z AKS 6 3/8 NPT	6	S	3/8"NPT	630					
Z AKS 8 1/4 NPT	8	S	1/4"NPT	630	35	28	43	17	19
Z AKS 8 3/8 NPT	8	S	3/8"NPT	630					
Z AKS 8 1/2 NPT	8	S	1/2"NPT	630					

Racores DIN 2353

Uniones rectas tubo-rosca

Racor recto rosca cónica NPT

Acero Inoxidable AISI 316-L

2/2

Artículo	ØD1	Serie	R1	Presión de trabajo (bar)	L	L1	L2	HEX 1	HEX 2
Z AKS 10 1/4 NPT	10	S	1/4"NPT	630	35	27,5	43,5	19	22
Z AKS 10 3/8 NPT	10	S	3/8"NPT	630	35	27,5	43,5	19	22
Z AKS 10 1/2 NPT	10	S	1/2"NPT	630					
Z AKS 12 1/4 NPT	12	S	1/4"NPT	630					
Z AKS 12 3/8 NPT	12	S	3/8"NPT	630	37	29,5	45,5	22	24
Z AKS 12 1/2 NPT	12	S	1/2"NPT	630	42	34,5	50,5	22	24
Z AKS 14 1/2 NPT	14	S	1/2"NPT	630	44	36	54	24	27
Z AKS 16 1/2 NPT	16	S	1/2"NPT	400	44	35,5	54	27	30
Z AKS 16 3/4 NPT	16	S	3/4"NPT	400					
Z AKS 20 1/2 NPT	20	S	1/2"NPT	400					
Z AKS 20 3/4 NPT	20	S	3/4"NPT	400	48	37,5	59	32	36
Z AKS 20 1 NPT	20	S	1"NPT	400					
Z AKS 25 3/4 NPT	25	S	3/4"NPT	400					
Z AKS 25 1 NPT	25	S	1"NPT	400	57	45	69	41	46
Z AKS 30 1 NPT	30	S	1"NPT	400					
Z AKS 30 1 1/4 NPT	30	S	1"1/4NPT	400	60	46,5	73	46	50
Z AKS 38 1 1/2 NPT	38	S	1"1/2NPT	315	65	49	80	55	60